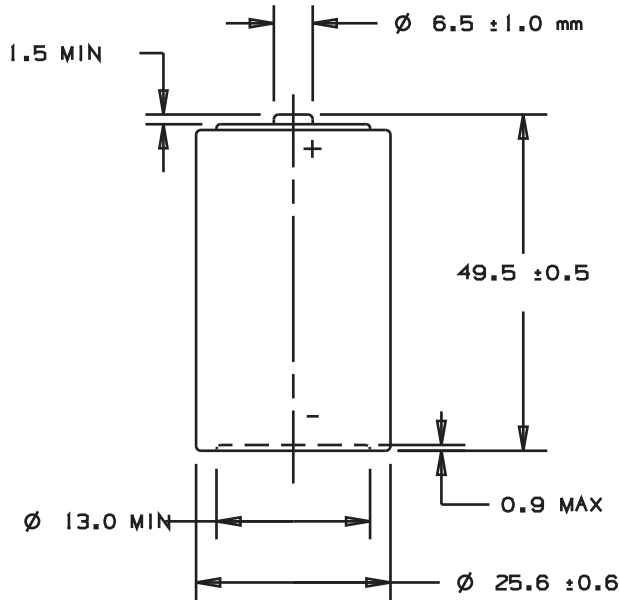




Kodak Alkaline Battery

KC

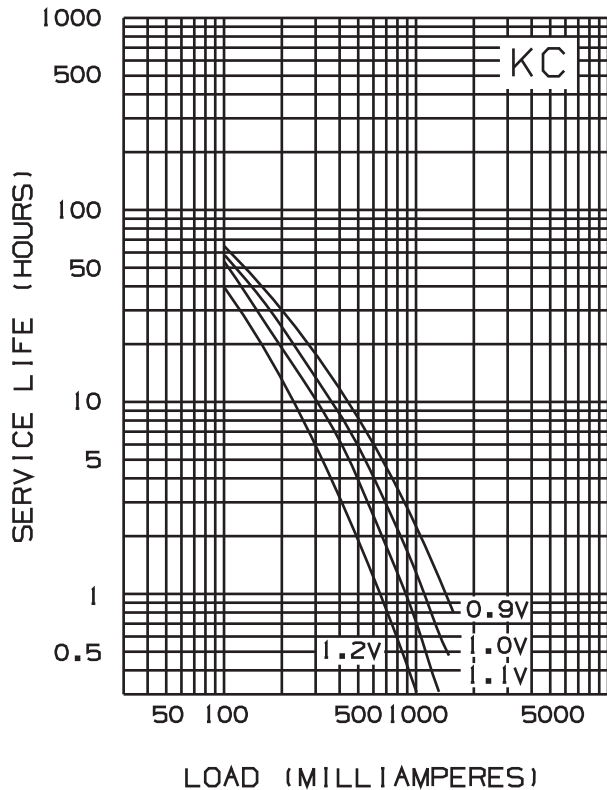
Effective : July 2003



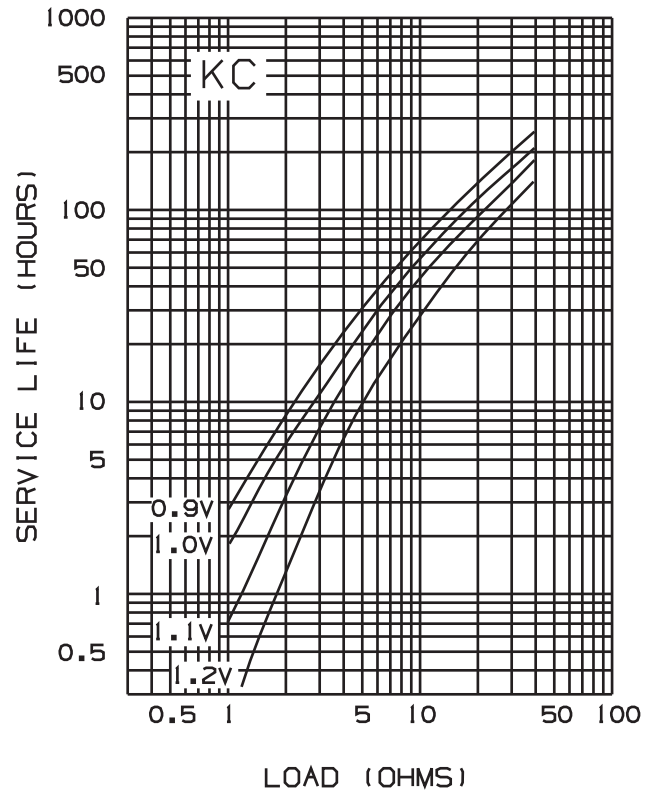
System:	Alkaline-Manganese Dioxide
Designation:	ANSI 14A, IEC LR14
Nominal Voltage:	1.5 Volts
Nominal Capacity:	8,400 mAh at 39 Ohms to 0.8 Volts
Internal Impedance:	0.10 Ohms (typical)
Temperature Range:	-20°C to 54°C
Average Weight:	70 grams
Volume:	26.6 cm ³
Terminals:	Flat Contacts
Jacket:	Foil Label

NOTE: 1) No added Mercury / 99.9999% Mercury free.
 2) No added Lead / 99.999% lead free.
 3) This battery complies with: ANSI C18, IEC 60086, & EEC directive 91/157 standards.

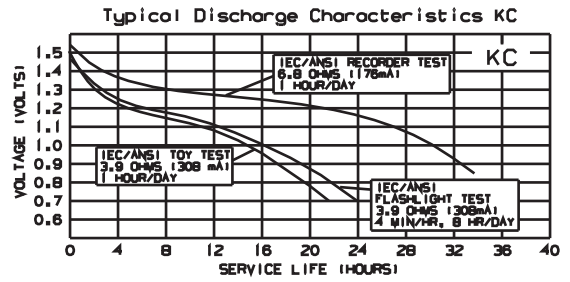
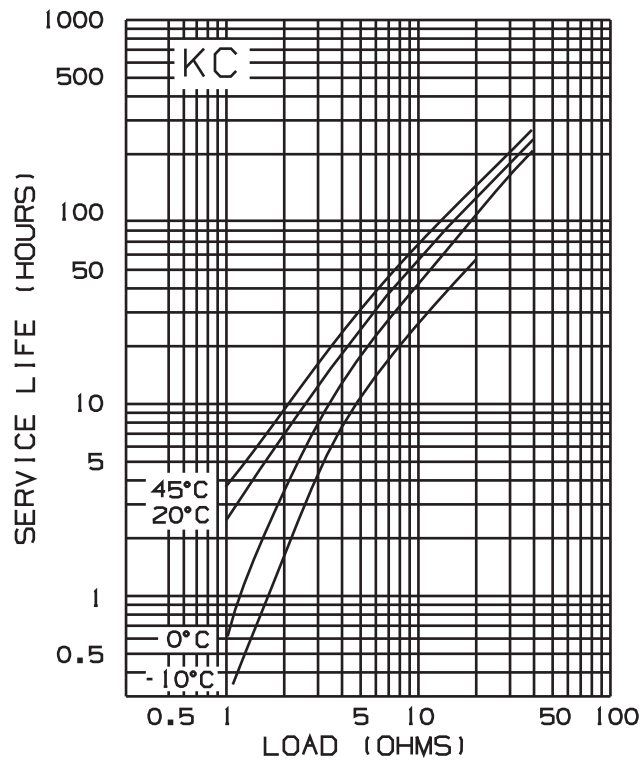
Typical Discharge Characteristics With Constant Current At 20°C



Typical Discharge Characteristics With Constant Resistance At 20°C



Typical Temperature Characteristics
0.9 Volts Cutoff Voltage



The following indicates the typical service life expected when discharged after storage in air at 20 ±2° C and 65 ±10% relative humidity:

Shelf Life Tests at 20° C	Fresh Cells	1 Year	2 Years	3 Years	4 Years	5 Years
IEC/ANSI Cassette Recorder 6.8 Ohms 1 Hr/Day to 0.9 Volts	32.5 Hrs	32.0 Hrs	31.5 Hrs	31.0 Hrs	30.5 Hrs	30.0 Hrs
IEC/ANSI Flashlight 3.9 Ohm 4 Min/Hr, 8 Hr/Day to 0.9 Volts	1150 Min	1120 Min	1090 Min	1060 Min	1030 Min	1000 Min
IEC/ANSI Toy 3.9 Ohms 1 Hr/Day to 0.8 Volts	18.5 Hrs	18.2 Hrs	17.9 Hrs	17.6 Hrs	17.3 Hrs	17.0 Hrs

The following indicates the typical service life expected when discharged at 0 ±2° C or at 45 ±2° C (relative humidity less than 70%):

Service Life Tests at 0° C and 45° C	0° C	45° C
IEC/ANSI Cassette Recorder 6.8 Ohms 1 Hr/Day to 0.9 Volts	23.5 Hrs	30.5 Hrs
IEC/ANSI Flashlight 3.9 Ohm 4 Min/Hr, 8 Hr/Day to 0.9 Volts	930 Min	1300 Min
IEC/ANSI Toy 3.9 Ohms 1 Hr/Day to 0.8 Volts	15.5 Hrs	18.5 Hrs

The curves and data in this publication represent product tested under the conditions specified. They do not represent standards or specifications which must be met by Eastman Kodak Company. The company reserves the right to change and improve product characteristics at any time.



For more information, contact
EASTMAN KODAK COMPANY
343 State Street
Rochester, New York 14650-0811
1-800-242-2424
www.kodak.com/go/batteries